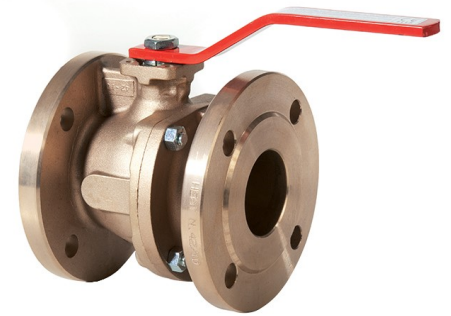




Main Features:-

- ◆ Flanged PN16, ISO 5211 for Direct Mount
- ◆ Lever Operated
- ◆ DINF4/F5 Face to Face
- ◆ 316 Stainless Steel Ball & Stem
- ◆ Rated PN16, Temperature -10°C to 150°C

*Temperature and pressure determined by valve body, seat etc.



Suitable Applications & Approvals:



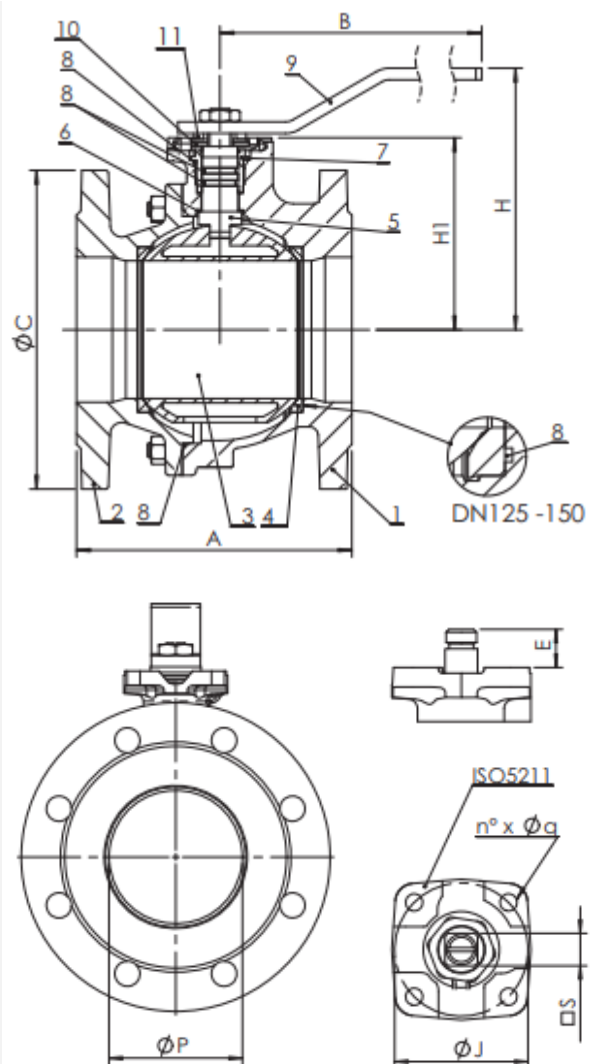
SERIES: 10097

MANUFACTURER: **AV@L**
INDUSTRIAL VALVES

VALVE DIMENSIONS

| Name | Materials |
|----------------|---------------------------|
| Body | Bronze |
| Flange | Bronze |
| Ball | AISI 316 |
| Ball Seat | RPTFE |
| Stem | AISI 316 |
| Sliding Washer | PTFE |
| Ring | AISI 316 |
| O'Ring | Viton |
| Lever | Epoxy Coated Carbon Steel |
| Stop Plate | AISI 316 |
| Spring Washer | AISI 316 |
| Lever Hub | Brass |
| Lever Stop | AISI 316 |
| Anti-Blow-Out | AISI 302 |
| Mountig Pad | Aluminium Bronze |
| Bolts | AISI 302 |

DN 15- 150



ALL VALVES ONLINE

Offering a full range of actuated valve packages, manual valve range, pipe fittings and pumps, we have a product for all your requirements. As an ISO 9001-2015 Quality Approved and certified company, All Valves offer a quality service from pre-sale to post sale. Shipping millions of pounds in value of manual valve and actuated valve packages all over the world since its formation, All Valves are a trusted valve and actuator supplier to many companies all over the world. Working with the leading brands in most industries.

Drawings continue on the second page.



T +44 (0)1386 552369

E sales@allvalves.co.uk

W www.allvalves.co.uk

F +44 (0)1386 554227



BALL VALVES

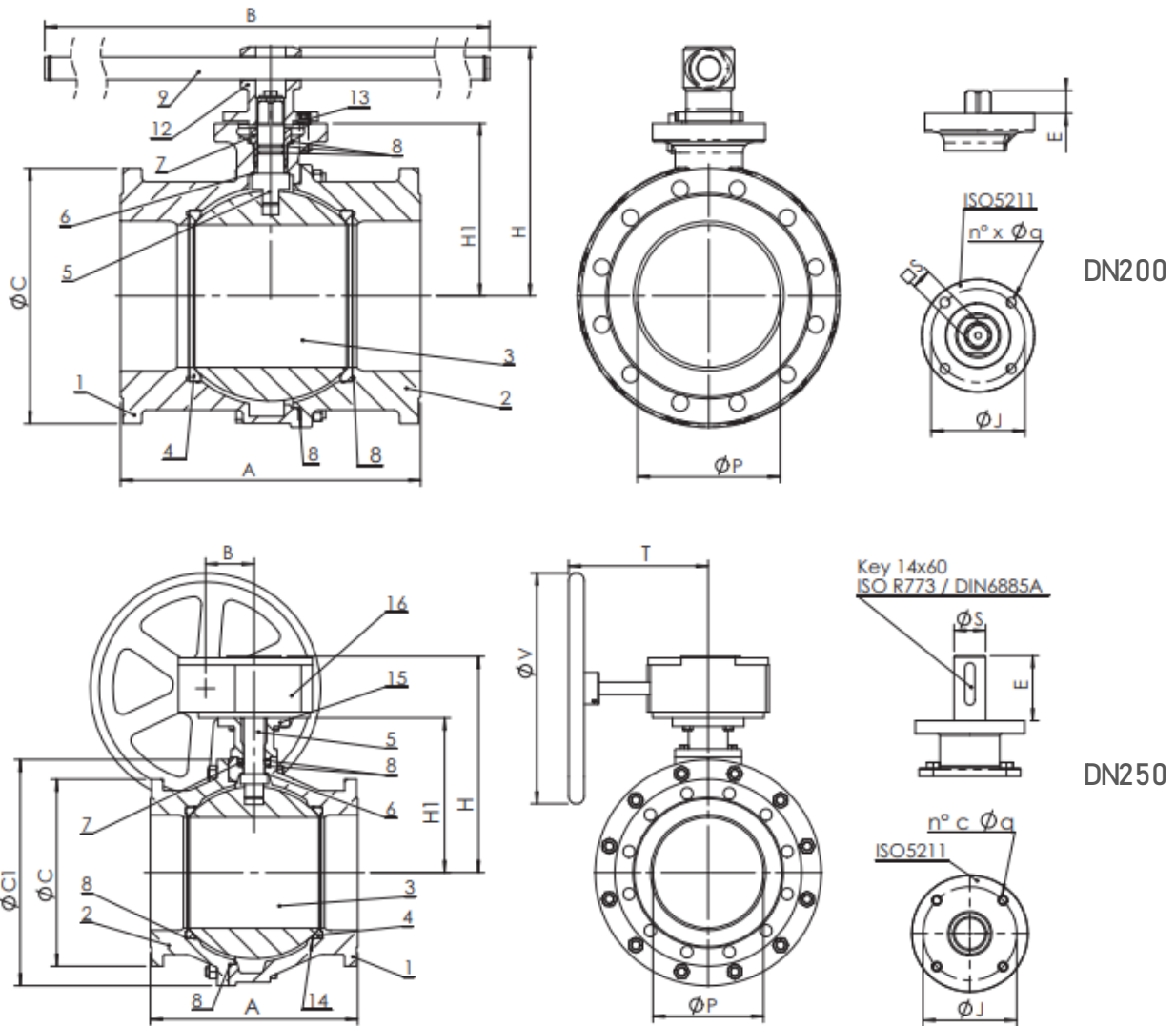
ALLVALVES ONLINE

AVOL
INDUSTRIAL VALVES

AVOL valves are our range of industrial valves selected by our experienced technical sales team.

SERIES: 10097

VALVE DIMENSIONS



| Size | P | A | H | HI | B | C | ISO | CI | V | J | n° x Øq | E | S | Kg | Nm | Kv |
|--------|-----|-----|-----|-------|------|-----|-----|-----|-----|-----|---------|------|-----|------|------|-------|
| 1/2" | 15 | 115 | 84 | 50.5 | 160 | 95 | F04 | - | - | 42 | 4x6 | 11.5 | Ø9 | 2.8 | 15 | 22.3 |
| 3/4" | 20 | 120 | 84 | 52 | 160 | 105 | F04 | - | - | 42 | 4x6 | 11.5 | Ø9 | 3.4 | 15 | 47.7 |
| 1" | 25 | 125 | 96 | 59 | 170 | 115 | F04 | - | - | 42 | 4x6 | 14.5 | Ø11 | 4.8 | 18 | 83.5 |
| 1 1/4" | 32 | 130 | 101 | 64 | 170 | 140 | F04 | - | - | 42 | 4x6 | 14.5 | Ø11 | 6.5 | 18 | 150.4 |
| 1 1/2" | 40 | 140 | 125 | 78.5 | 230 | 150 | F05 | - | - | 50 | 4x7 | 17.5 | Ø14 | 9.3 | 18 | 255 |
| 2" | 50 | 150 | 135 | 87 | 230 | 165 | F05 | - | - | 50 | 4x7 | 17.5 | Ø14 | 11.5 | 20 | 435 |
| 2 1/2" | 63 | 170 | 143 | 95 | 230 | 185 | F05 | - | - | 50 | 4x7 | 17.5 | Ø14 | 16 | 40 | 672 |
| 3" | 76 | 180 | 165 | 118 | 280 | 200 | F07 | - | - | 70 | 4x9 | 20 | Ø17 | 20.6 | 70 | 947 |
| 4" | 95 | 190 | 180 | 132.5 | 360 | 220 | F07 | - | - | 70 | 4x9 | 20 | Ø17 | 28.4 | 100 | 1508 |
| 5" | 120 | 200 | 225 | 165 | 450 | 250 | F10 | - | - | 102 | 4x11 | 24.5 | Ø22 | 41.2 | 180 | 2633 |
| 6" | 145 | 210 | 243 | 182.5 | 560 | 285 | F10 | - | - | 102 | 4x11 | 24.5 | Ø22 | 52.7 | 250 | 4261 |
| 8" | 190 | 400 | 320 | 230 | 1000 | 340 | F12 | - | - | 125 | 4x13 | 27 | Ø27 | 131 | 600 | 5957 |
| 10" | 240 | 450 | - | 355 | 101 | 405 | F12 | 490 | 500 | 125 | 4x13 | 92 | Ø45 | 140 | 2000 | 10510 |



T +44 (0)1386 552369

W www.allvalves.co.uk

E sales@allvalves.co.uk

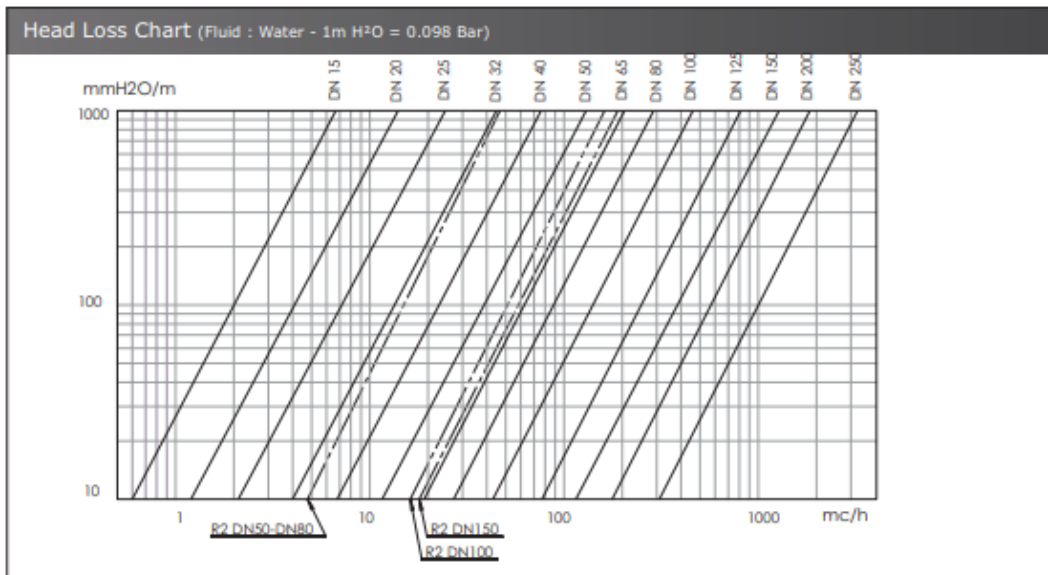
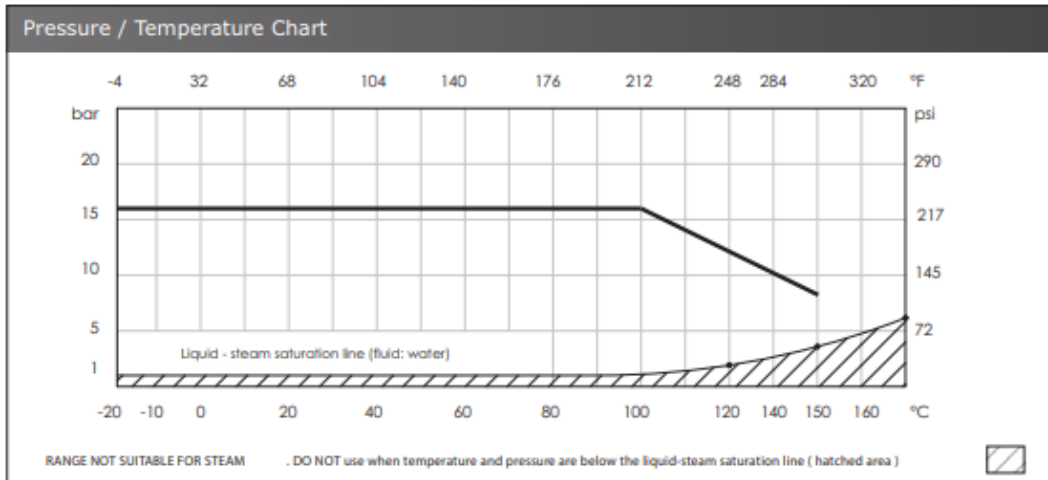
F +44 (0)1386 554227



AVOL valves are our range of industrial valves selected by our experienced technical sales team.

SERIES: 10097

Pressure/Temperature Chart & Head Loss Chart



T +44 (0)1386 552369

W www.allvalves.co.uk

E sales@allvalves.co.uk

F +44 (0)1386 554227